

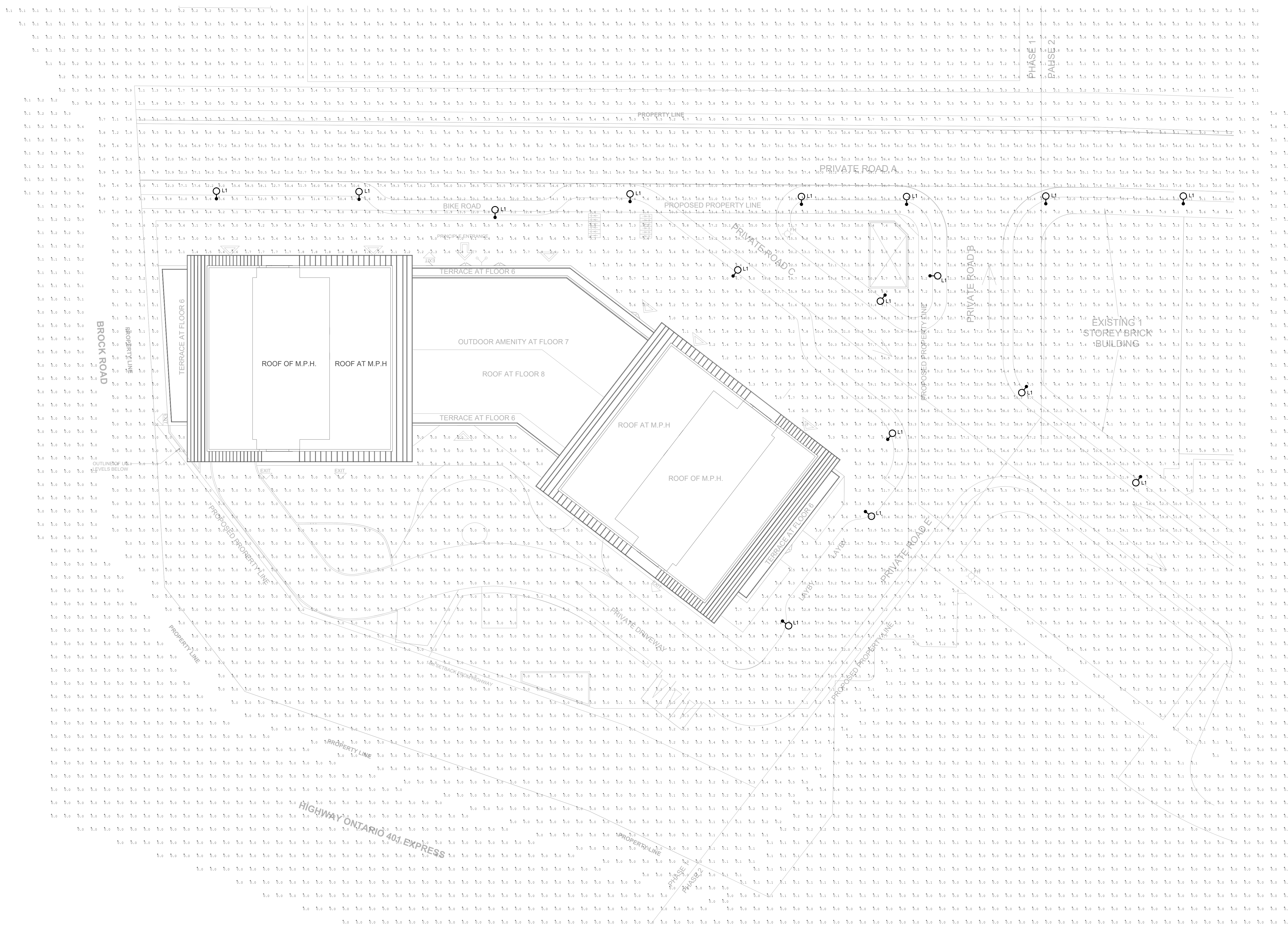
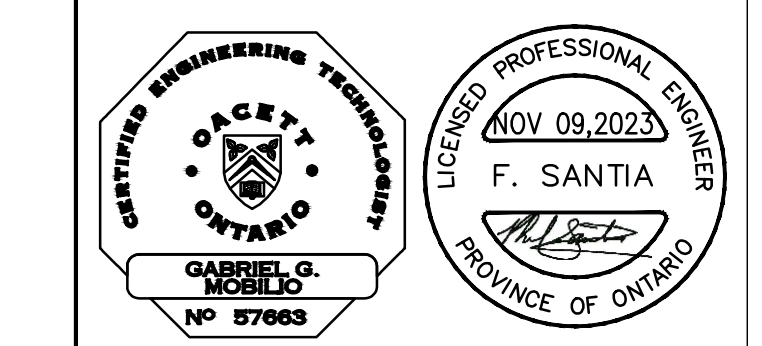
#	DATE	ISSUED FOR SPA DESCRIPTION	FC BY
1	NOV 09, 2023		

**PROJECT**  
**PICKERING DESIGN CENTRE  
 (BLOCK 1)**  
 1775 PICKERING PARKWAY  
 PICKERING, ON.

**DRAWING**  
**LIGHTING SITE PLAN**

PROJECT NO. 23-219
PROJECT DATE 2023-10-03
DRAWN BY FC
CHECKED BY FC
SCALE 1:250

DRAWING NO.  
**E100**



1 NOV 09 2023		ISSUED FOR SPA	FC
#	DATE	DESCRIPTION	BY

**PROJECT**  
**PICKERING DESIGN CENTRE**  
**(BLOCK 1)**  
 1775 PICKERING PARKWAY  
 PICKERING, ON.

**DRAWING**  
**LIGHTING SITE ANALYSIS**

<b>PROJECT NO.</b> 23-219
<b>PROJECT DATE</b> 2023-10-03
<b>DRAWN BY</b> FC
<b>CHECKED BY</b> FC
<b>SCALE</b> 1:250

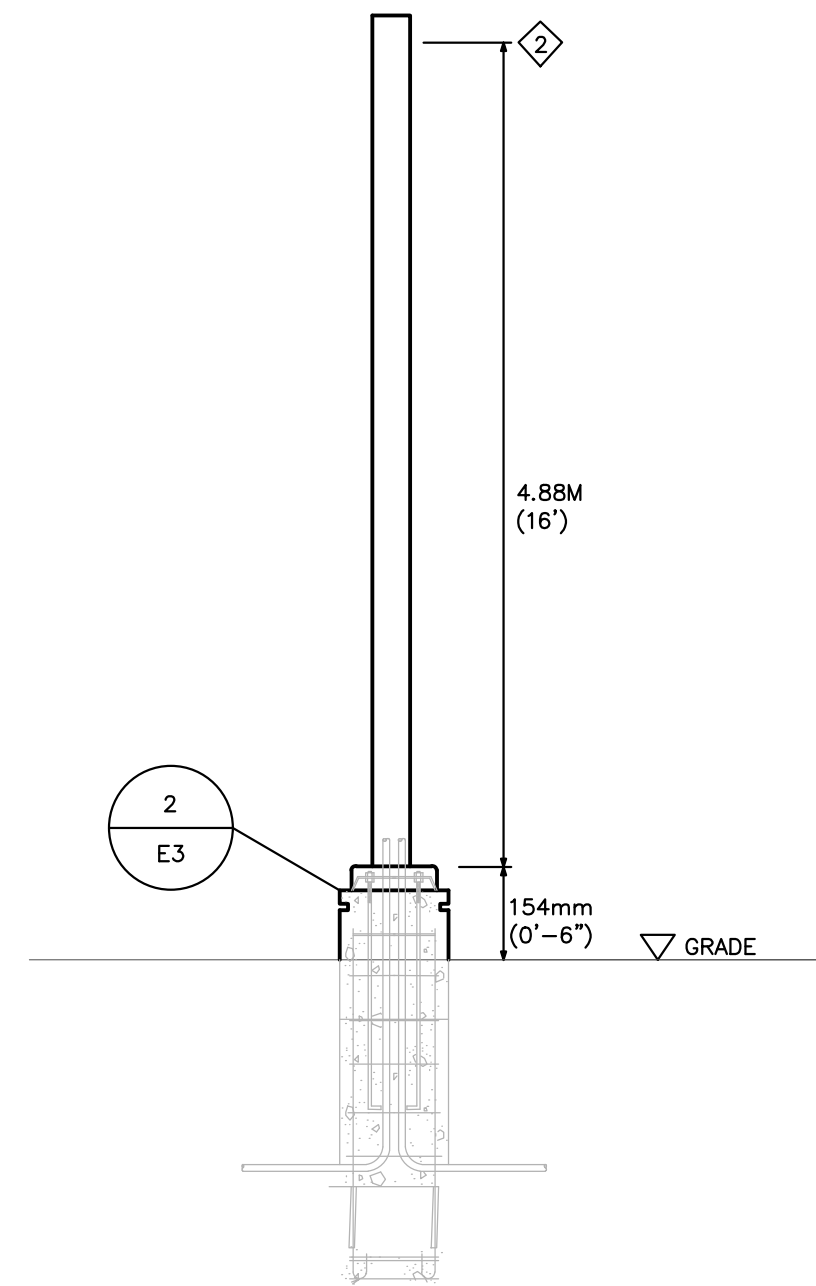
LUMINAIRE SCHEDULE								
Symbol	Label	Description	Lum. Lumens	Lum. Watts	LLF	LUMINAIRE MOUNTING	MANUFACTURER	EQUAL MANUFACTURER
●○	L1	UR20-96L-50-3K7-3	5437	46.6	1.0	4.87mm (16")	KIM LIGHTING	SPITZER LIGHTING: PTM SERIES

Calculation Summary							
Label	Calc.Type	Units	Avg	Max	Min	Avg/Min	Max/Min
LIGHT SPILL	Illuminance	LUX	0.12	2.9	0.0	N/A	N/A
PRIVATE ROAD	Illuminance	LUX	16.42	31.5	5.0	3.28	6.30

1 LUMINAIRE SCHEDULE & SUMMARY

E102 SCALE: N.T.S.

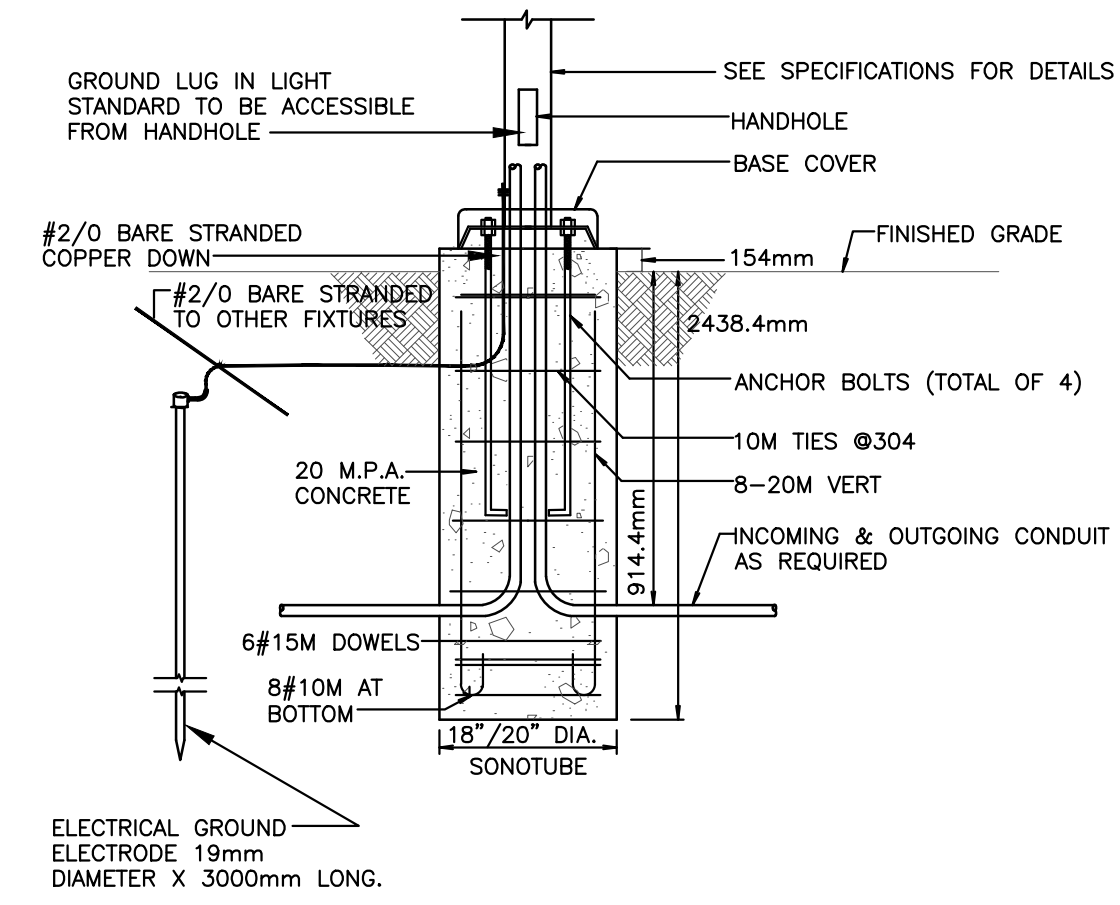
- NOTES:**
1. PROVIDE 4" (103MM) SQUARE POLE TO SUIT.
  2. HEIGHT TO CENTER OF LUMINAIRE OPTICS.



2 POLE DETAIL

E102 SCALE: N.T.S.

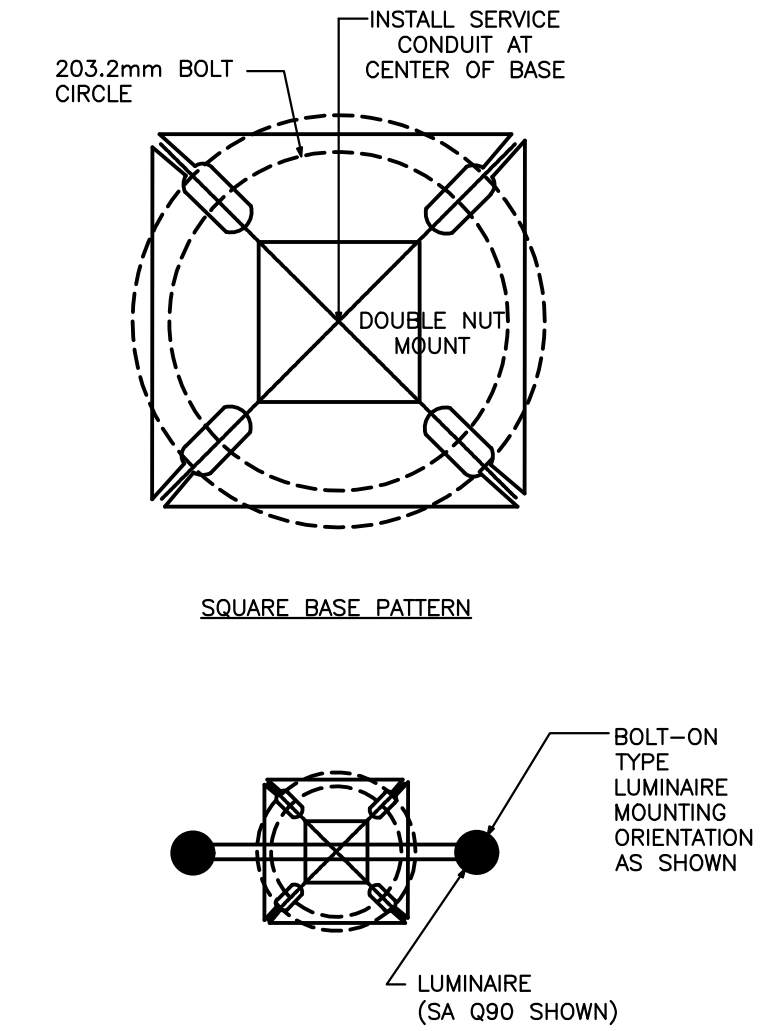
- NOTES:**
1. PROVIDE ALL WORK ASSOCIATED WITH THIS DETAIL. FINISH TO SUIT ARCHITECT'S REQUIREMENTS. EXACT LOCATION OF POLE MOUNTED LUMINAIRES TO BE COORDINATED WITH ARCHITECTURAL SITE PLAN.
  2. REFER TO STRUCTURAL DRAWINGS FOR DETAILS OF BASE. THE BASE SHALL BE PROVIDED BY DIVISION 16 IN ACCORDANCE WITH DETAILS OF DIVISION 3.
  3. ELECTRICAL CONTRACTOR TO SIZE CONDUIT/FEEIDER TO SUIT. REFER TO SITE PLAN FOR DETAILS.



3 LIGHTING POLE BASE DETAIL

E102 SCALE: N.T.S.

- NOTES:**
1. INSTALL BOLTS ACCURATELY CENTERED WITHIN 1/16" OF NOMINAL POSITION FOR PROPER FIT WITH BASE.



4 ANCHOR BOLTS DETAIL

E102 SCALE: N.T.S.



5 LUMINAIRE TYPE L1

E102 SCALE: N.T.S.



#	DATE	ISSUED FOR SPA DESCRIPTION	FC BY
1	NOV 08, 2023		

PROJECT  
**PICKERING DESIGN CENTRE (BLOCK 1)**  
 1775 PICKERING PARKWAY  
 PICKERING, ON.

DRAWING  
**SITE PLAN DETAILS**

PROJECT NO.	23-219
PROJECT DATE	2023-10-03
DRAWN BY	FC
CHECKED BY	FC
SCALE	NTS

DRAWING NO.  
**E102**